

## PNEUMATIC OIL FILLING KIT WITH CART

37150



**⚠ WARNING:** Read carefully and understand all ASSEMBLY AND OPERATION INSTRUCTIONS before operating. Failure to follow the safety rules and other basic safety precautions may result in serious personal injury.

**READ & SAVE THESE INSTRUCTIONS**

# INTRODUCTION

Thank you for purchasing 37150 oil transfer kit with oil control gun.

The 37150 (3:1 Ratio) is the ideal pump for use in bulk tanks or drums through pipelines, hose reels and hose end oil delivery guns (with or without a flow meter) over distances of up to 30 meters (including hose reels).

The Fabit oil control gun has been designed to accurately dispense, measure and control oil flow. The control gun is suitable for use with engine oil, gear oil, automatic transmission fluid, anti-freeze/anti-boil and compatible fluids.

Read the following precautions and instructions before you begin assembly or using. Failure to comply with these instructions could result in personal injury or property damage. Keep these instructions in a convenient location for future reference.

## IMPORTANT NOTE

The guarantee will be void if the pump has been altered in any way

## PROFILE

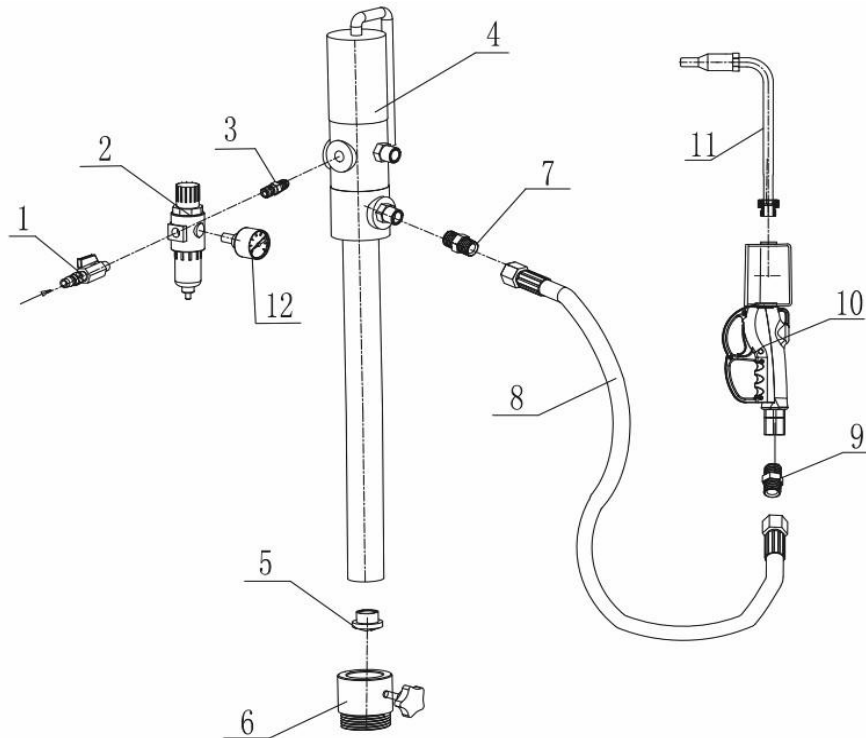
Oil pumps can be used to transfer lubrication oil, waste oil and antifreeze liquids.

This manual is applicable to the following pump only , please confirm your pump is included.

## Specification

Item No.	<b>37150</b>
Compression ratio	3:1
Operating pressure(bar/psi)	5-8/70-115
Maximum pressure(bar/psi)	8/115
Air consumption(L/min Gallon/min)	240/63.5
Capacity(L/min Gallon/min)	12/3.2
Tube diameter(mm/inch)	42/1.65
Suction tube length(mm/inch)	940/37
Air inlet connection	1/4" quick plug/1/4" NPT female
Oil delivery connection	Male 1/2"
Max. viscosity oil delivered	SAE 150
Temperature oil delivered	-10~50 <sup>0</sup> C
Noise level(dB)	82

## CONNECT THE PUMP WITH OTHER ACCESSORIES



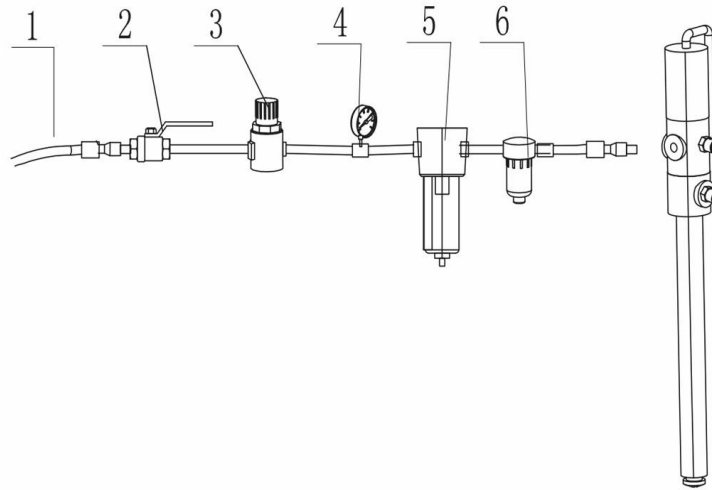
## ASSEMBLY

1. Screw connector (7) to pump (4).
2. Screw oil hose (8) to connector (7).
3. Screw connector (9) to oil hose (8).
4. Screw gun body (10) to connector (9).
5. Screw mouth (11) to gun body (10).
6. Screw foot (5) to pump (4).
7. Screw regulator (2) to connector (3).
8. Screw pressure gauge (12) to regulator (2).
9. Screw 1/4" ball valve (1) to regulator (2).
10. Screw foot (5) to pump (4).
11. Screw adaptor (6) to drum.
12. Insert pump (4) into adaptor (6) and tighten locking screw of adaptor (6).

## DISASSEMBLY

1. Turn off 1/4" ball valve (1) and take away air source.
2. Loosen locking screw of adapter (6) and pull pump (4) out of adapter (6).
3. Take away pump equipment for dispensing oil (without adaptor (6)) to suitable place for disassembly.
4. Unscrew adaptor (6) from drum.
5. Unscrew and remove all components one by one.

# INSTALLATION



Code	Name
1	a section of flexible pipe
2	cut-off valve
3	Regulator
4	pressure gauge
5	Filter
6	Lubricator

## HOW TO USE

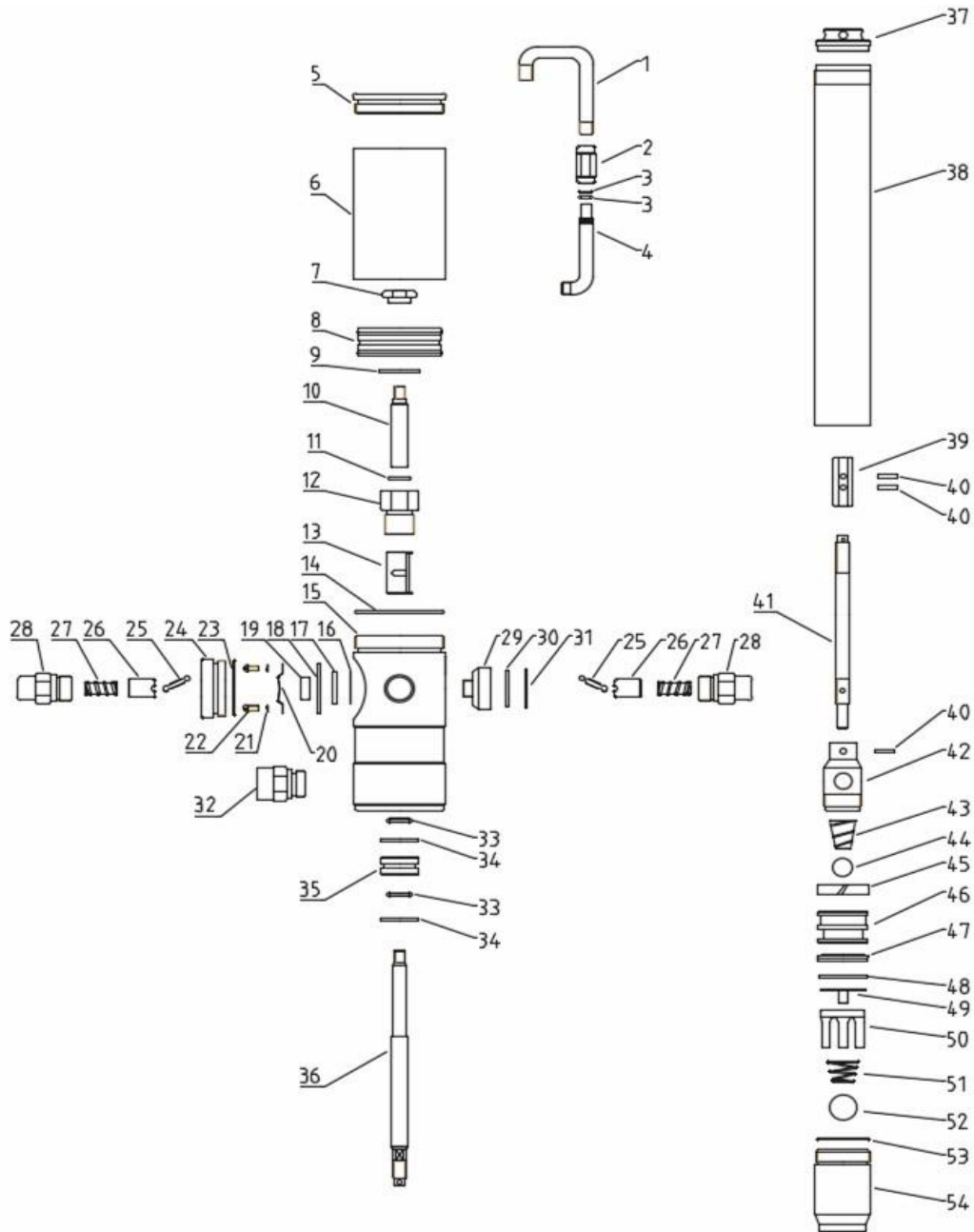
### DIRECTLY FITTED PUMPS INTO THE DRUM

1. Insert the suction tube of pump into the drum and secure with ring nut, suitable for commercial drums with 57 diameter hole and threading 2"BSP
2. Fit a oil delivery tube for oil outlet of the air operated pump using only high quality tubes (normally 1/2" or 3/4", according to DIN-SAE norms), by means of 1/2"BSP threading fitting.
3. Oil delivery pistol: Connect delivery tube with delivery pistol using suitable pipe fittings, and point the pistol at right place.
4. Air inlet connection is 1/4" quick plug(or 1/4" NPT female) in all versions.  
Compressed air connection (to be supplied by the customer) should be done using suitable tubes.
5. A pressure regulator to keep the pump's working pressure at the best possible level(max 5-8 bar) between the pump and the compressed air line.
6. A cut-off switch can enable the operator to stop the pump at any given moment by cutting the air supply off between the pump and the compressed air line.
7. Switch on all switch.

## PROCEED AS FOLLOWS

1. Depending on the length of the suction tube the desired extension length.  
Can be realized by using the modular extension elements( See the examples given Above)
2. Examples of possible application to pump with drum or rigid suction tube for  
Obtaining personalized lengths according to needs.
3. Remove filter and foot valve from the stub pump, screw the extension tube on (W/top connection), then screw filter and foot valve on the extension tube(foot connection End)

# 3:1 SERIES OIL PUMP EXPLODED VIEW



## 3:1 SERIES OIL PUMP PART LIST

No.	Part	Q'ty	No.	Part	Q'ty	No.	Part	Q'ty
1	TUBE1	1	19	AIR CAP	1	37	CONNECTOR	1
2	CONNECTOR	1	20	SPRING(M TYPE)	1	38	SUCTION TUBE	1
3	O-RING	2	21	WASHER	2	39	LINK	1
4	TUBE2	1	22	SCREW	2	40	PIN	3
5	UPPER COVER	1	23	O-RING	1	41	ROD	1
6	CYLINDER BODY	1	24	AIR INLET COVER	1	42	PISTON COVER	1
7	NUT	1	25	VALVE PIECE	2	43	PISTON SPRING	1
8	PISTON	1	26	SPRING SLEEVE	2	44	STEEL BALL	1
9	WASHER	1	27	SPRING	2	45	GUIDING RING	1
10	UPPER SPINDLE	1	28	SPRING BOLT	2	46	PISTON	1
11	O-RING	1	29	MUFFLER SEAT	1	47	Y-SEAL	1
12	SEALING BOLT	1	30	MUFFLER	1	48	RATAINER RING	1
13	SLEEVE	1	31	RATAINER RING	1	49	STOPPER	1
14	O-RING	1	32	OUTLET CONNECTOR	1	50	FRAME	1
15	PUMP BODY	1	33	OIL SEAL	2	51	OIL INLET SPRING	1
16	PAPER WASHER	1	34	WASHER	2	52	STEEL BALL	1
17	SHIFT VALVE	1	35	SEAL HOUSE	1	53	O-RING	1
18	GASKET	1	36	DOWN SPINDLE	1	54	VALVE SEAT	1

## Troubleshooting

Problem	Cause	Solution
Pump doesn't work	Problem of air pressure or air lines	Check air pressure or lines and adjust
Air motor operates but little or no oil out.	Drum or tank is empty	Change drum or fill tank
Wrong reading	The parameter is inaccurate	Inspects and calibrates the parameter
	The pump suction air, the fuel oils have been insufficient	Supplements the fuel oils

No showing on display	Battery out of power	<ol style="list-style-type: none"> <li>1. Get the meter off from the dispense system.</li> <li>2. Take off the protector.</li> <li>3. Take off the labels sticks on the bottom of the meter.</li> <li>4. Loosing the five socket head cap screws on the bottom of the meter.</li> <li>5. Take off the seat.</li> <li>6. Check the battery, replacing the battery if it is out of power.</li> <li>7. After replacing the battery, assemble the meter and fix it back to the dispense system.</li> </ol>
-----------------------	----------------------	--

## STORAGE AND MAINTENANCE

Pumps are delivered in appropriate cardboard boxes. Packaging material should be properly disposed. Handling and storage of the new pump do not require any special procedures.

However after the pump has been used, empty the used oil in the suction tube into an appropriate container. This is done by overturning the pump

The dust in compressed air can slow down and even block the motor cylinder. The following steps may prevent this from happening:

- 1) Let in 50 gram of Vaseline oil or other lubricator from the air inlet hole weekly operate the pump for several minutes after having into the pump.
- 2) Turn on the pump for several minutes until moving parts is fully lubricated.
- 3) You may repeat the above operation if necessary.
- 4) The above steps should be carried out on a weekly base.

For the pumps that are attached with compressed air treatment equipment please empty the water retained in the reservoir of the filter-purger frequently.

For the pumps that are attached with a lubricator, please pay close attention to the lubricator's oil level and refill with SAE 20, SAE 30 or antifreeze oil for extreme conditions when necessary.

NOTE:

The user should perform only routine maintenance operations (such as filters, silencers, cleaning...) with the pump in order not to damage it or compromise its safety.

Contact our sales or service centers when the pump needs further maintenance.

## GENERAL SAFETY REGULATIONS

When the pump is connected to the compressed air supply:

- The compressed air must be filtered to avoid dust and moisture into pump
- The max compressed air pressure must not exceed 0.8Mpa
- To deliver oil, press the knob on the delivery pistol; delivery stops when the knob is released but the whole system remains under pressure.



- Position the pistol so that the circuit can't open accidentally. Otherwise oil could leak onto the ground.
- Never point the pistol at people or objects.
- Press the pistol knob.
- Always cut off the air supply after use so that oil can't leak out in case one of the pump's components should break
- Use only original spare parts in case the pump has to be repaired or its components have to be replaced
- Empty all the oil from the pump in case it has to be disposed of.
- When not in use, turn off compressed air to stop pump.
- Do not use the pump near open flames. Do not smoke during this operation.
- Wear oil-proof gloves
- Do not throw the oil away. Used oil has to be disposed of according to national Environmental regulations
- The pumps can be used only to deliver lubricants, used oil or antifreeze liquids. Do not use the pump for any other substance.

## Oil control gun

### ASSEMBLY

Use Teflon tape (or suitable thread sealant ) when connecting the oil control gun to an oil hose.

### OUTLET NOZZLE OPERATION

When fluid flows through the gun the outlet nozzle will automatically open. When the fluid flow stops the outlet nozzle will automatically shut.

### METER INTRODUCTION



1. Display signals of power
2. Batch Total
3. TOTAL key: Display the total
4. RESET key: Starting or Clear
5. Accumulative Total Units
6. Batch Units

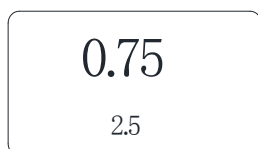
# Operation instructions

For different customers, due to the use of oil specifications are not the same, usually before use, for the oil flow correction in order to achieve the actual amount of oil and the meter display value of the same or close to (reduce error).

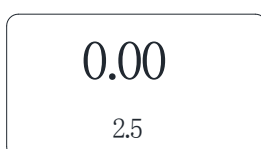
Usually, when the oil meter was equipped with battery ( automatically reads the parameters ) , it will show some data on the screen, if the shown data is Error (Err). Please reset the data according to the below instructions.

## Operation methods:

1. First enter into the operation status ,then press button “Total”
2. Still into the operation status, press the button “Reset” for 2 seconds , then the flow meter will get into the Setting Status.
3. Press the “Reset” button for another 2seconds, now the flow meter will show new data on the screen.
4. The current display is clear and the cumulative is clear: for example, the initial image is above 0.75 and 2.5 as cumulative data. As the pictures below:



Picture A



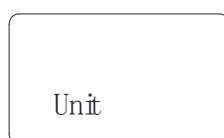
Picture B

Picture A: 0.75 means, current filling volume, while the number 2.5 means ,till now the total filling volume is 2.5L

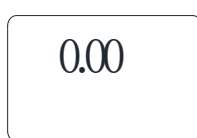
Picture B: it means the current filling data is 0.00

Important Note - If you want to **Clear the total filling data**, please operates as below:

- a) Press and hold the Reset button, until the is shown picture C, and then click the Reset button, till see the figure D,
- b) Then click the Reset button, it will show the figure E, press the left button (Total), and then long hold down the Reset key, the screen will show picture F and figure G, wich means the cumulative is clear, complete and save.



Picture C



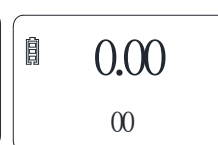
Picture D



Picture E



Picture F



Picture G

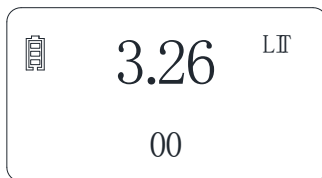
5. If the instrument does not operate for 10 seconds, automatically enter the sleep state (power saving mode) , when any button is press, automatically enter the running state,

now you can start to work.

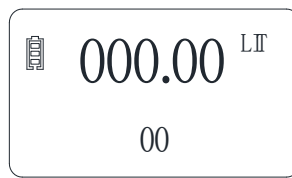
6. When the battery is getting without power, the flow meter will show L1-L0, flashing ,that means you need to replace the battery.
7. After 30 seconds of oil filling, the device will save the data automatically.

## Correction operation

1. According to the requirements, before operation, please prepare an appropriate standard of measuring capacity (such as 5L).
2. The current value should be cleared, as shown in Figure 1, the oil gas handle filled on a certain amount of oil into the cup, (such as 3L), then the screen will appear on the corresponding value of filled (such as 3.26) as shown in figure 2.
  - a) Press two buttons about 5-10 seconds at the same time to **enter set state**, picture 3
  - b) Press RESET to select unit: LIT, GAL, QTS, etc. As in picture 2



Picture 1



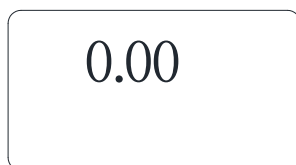
Picture 2



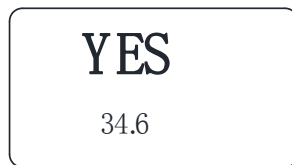
Picture 3

- c) Press the two buttons at the same time to select decimal digits of actual oil amount delivered (Max:3 decimal digits) Picture 4
- d) Then press two keys at the same time to set factor. Picture 6

3. Press the Reset button (not for long, press the Reset button to prevent the current oil reset), as in Figure 3, press the Reset button, figure 4 will appears, then press again the Reset button, the screen will show Figure 5, keep pressing the the Reset button, till appears Figure 6.



Picture 4



Picture 5



Picture 6

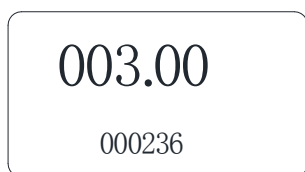
Picture 4 : Decimal digits display

Picture 5: Clear total amount display

Picture 6: Factor display. The 002500 is actual oil amount delivered. The factor will be changed automatically when inputting actual oil amount delivered.

4. **Required oil until**, press the TOTAL button, the first digit flicker, and then determined by TOTAL, so the number third is back, until a bit "0" digital flicker, press the RESET key, the digits change until the required oil until, press TOTAL to confirm, and lead to the next digit, and

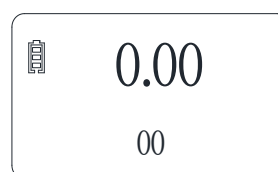
so on. (small digital display parameters is changed with the above injection quantity change). After, if you do not need to change other values, as shown in Figure 7, then press Reset to switch to the next, until the screen shows Picture 8 and 9, and save the settings



Picture 7



Picture 8



Picture 9

Note: in the above correction parameters, press TOTAL button, shift or determine, pressing over and over RESET, from 0 to 9.

#### 5. Verification / Rectification of the factor:

First, press the TOTAL, the bottom of the cumulative and instantaneous mutual switch, RESET: clear the current amount

Back to start running state

According to the oil injection method, the vector cup must reach certain value of oil (such as 3L), then the screen will appear on the corresponding value of a cup of oil filling, if the difference is large, according to the above method, and then set the operation time, until the oil and numerical display can be quite similar

### Additional instructions:

a) The flow-meter, according to the appropriate oil adjustment within the system itself, there is a traffic parameter value (gear rotates a cycle pulse oil value) set values, such as 000236, as shown in Figure 10, customers can change according to their own requirements.

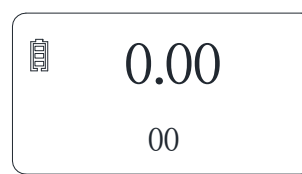
For example, the need to display a large number of changes, such as 000242, in accordance with the above point 4, hold down the Reset button 2 seconds, the instrument automatically enter the set state, to change. As shown in Figure 11:



Picture 10



Picture 11



Picture 12

Note: After, hold the RESET for 2 seconds, the instrument will re save the new parameters, into the normal state, as shown in Figure 12

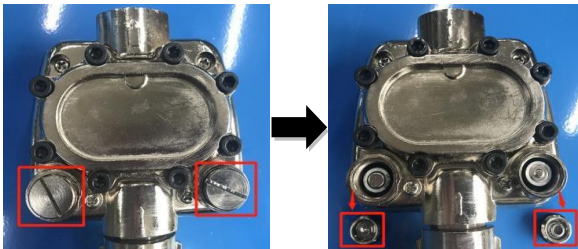
b) If there is errors on filling rate parameters (the factory has set a numerical table) into others codes, 005374, at the same time, can also be adjusted according to the same method, until the actual injection quantity and injection quantity display, basically the same, to determine the parameters saved successfully qualified.

## Battery replacement

When signal of battery become flashing,must replace new battery.

### Operation on replacing battery

With a screwdriver,remove two batteries,and tighten screw,and replace battery directly,(battery specification:duracell or NanFu 7. Please notice the pole of battery when replacing,see



With a screwdriver, remove two batteries, and tighten screw, and replace battery directly.

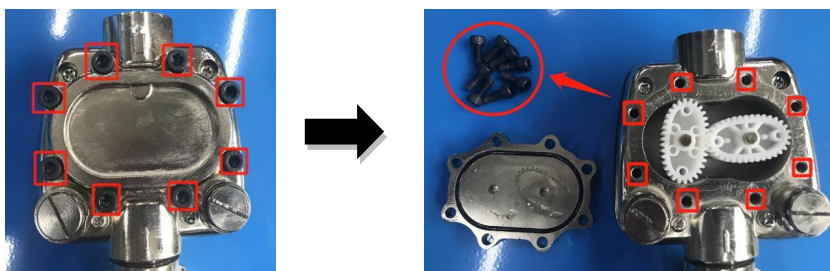
following pictures:

## Clear internal parts of meter

Place oil gun on clean and soft cloth, twist off 8 screws on the seal-oil bottom cover and take away the bottom cover and the seal ring, takes out the gear, clear the place that need clean pay attention to not destroy the gear and the survey cavity chest where the left gear loads with the magnet, and it forward down with the magnet.

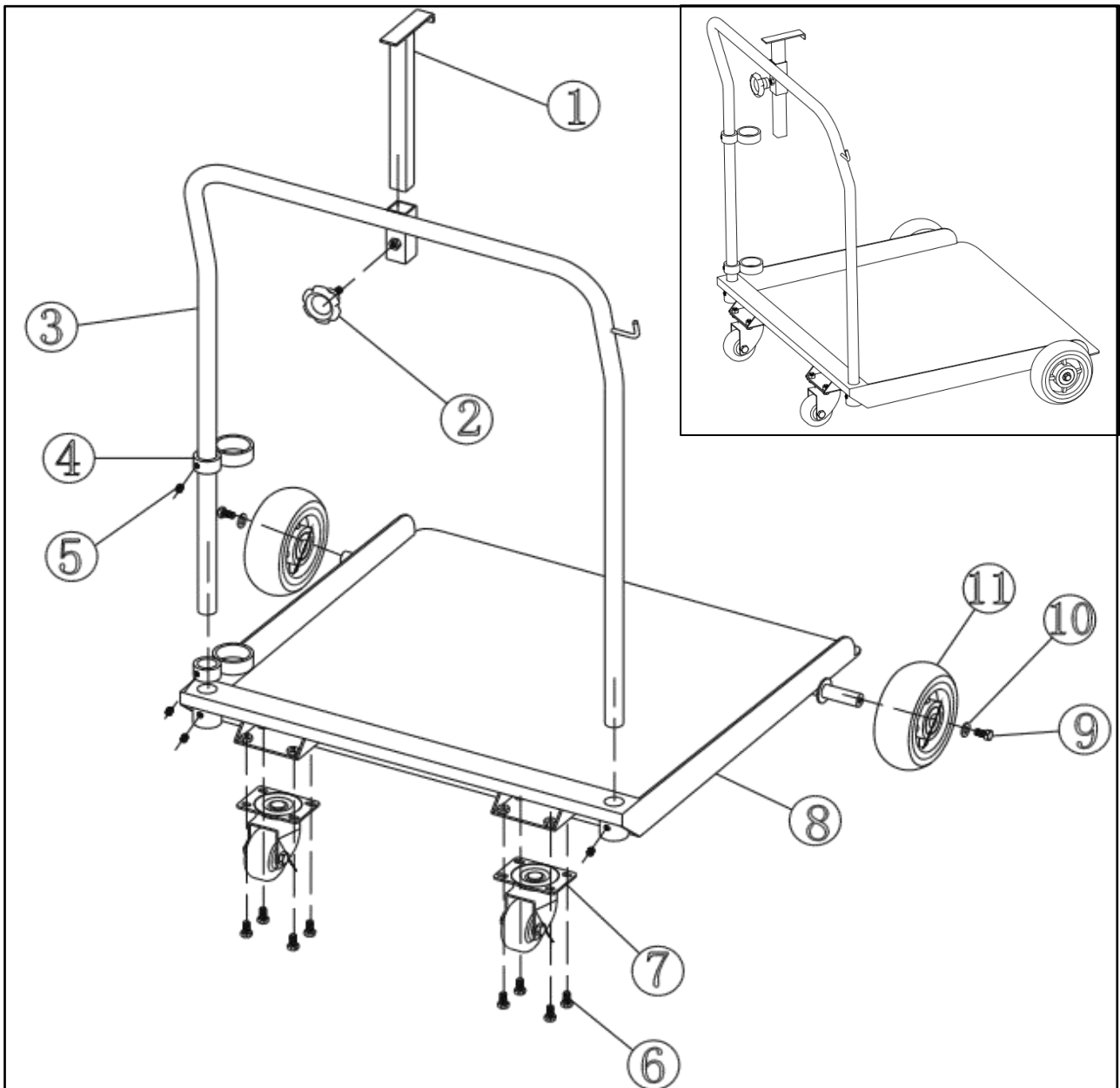
The left gear must be installed vertically with the right gear. Make sure the gear turns freely before cover.

Please close the gas source when current capacity drops obviously, buckle the oil gun main trigger and release press completely, then unload the oil hose from the handle, take out the strainer, install it after careful clean.



# CART- 80200

Drum Application: 180-220kgs/400lbs



CODE	NAME	QTY	CODE	NAME	QTY
1	DRUM HOLDER SUPPORT	1	6	HEXAGON SCREW	8
2	ACCESSORIES	1	7	SWIVELLING WHEEL	2
3	HANDLE	1	8	TROLLEY TOP	1
4	PUMP SUPPORT	2	9	HEXAGON BOLT	2
5	SCREW TIGHT	4	10	WASHER	2